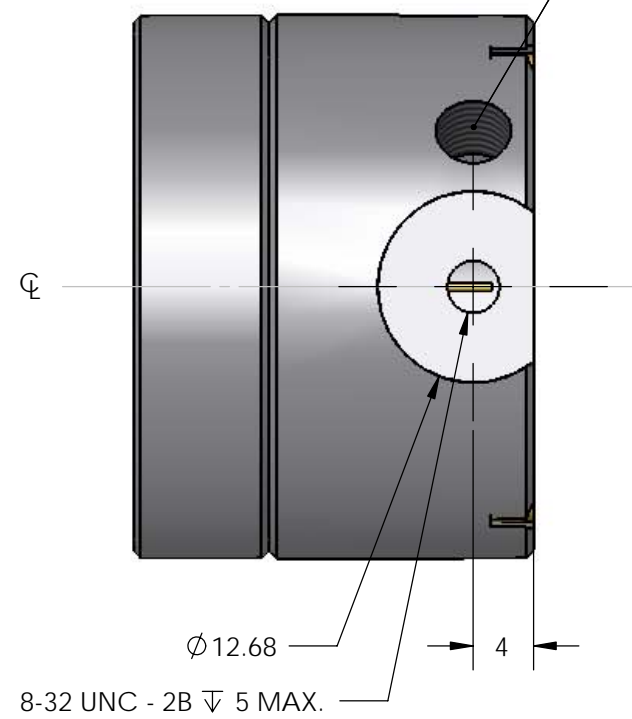
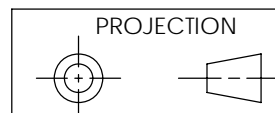


OUTPUT CABLE EXIT PORT



NOTE: DIMENSIONS IN mm

**IMPORTANT:**  
THIS DOCUMENT  
IS PROPERTY OF  
GENTEC ELECTRO-  
OPTICS, IT CANNOT  
BE DISTRIBUTED, USED  
OR REPRODUCED IN  
WHOLE OR IN PART  
WITHOUT EXPRESS  
WRITTEN AUTHORIZATION



REF.	REVISION	DATE	VER	APP
TOLERANCE				
DEC.	$\pm$			
FRAC.	$\pm$			
ANGLE	$\pm$	LAYOUT DRAWING		
APP.		Ph100-Si		
VER.		SK-8447		
	Ronald VH	A3		
DATE	01/09/2005			
	2:1			