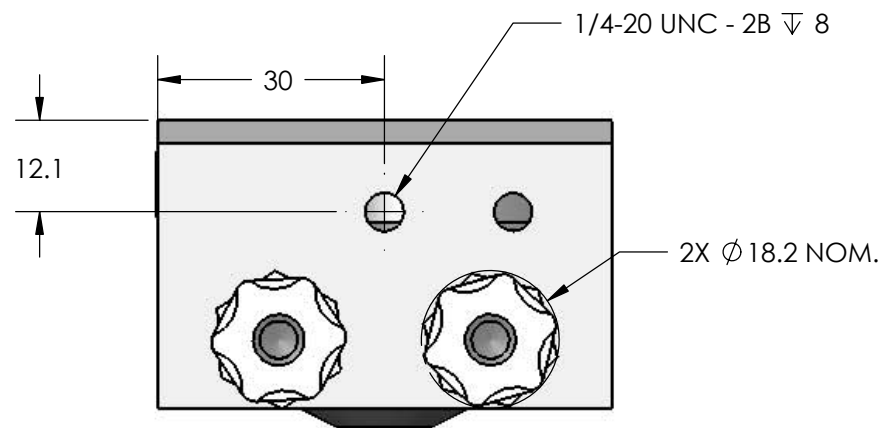
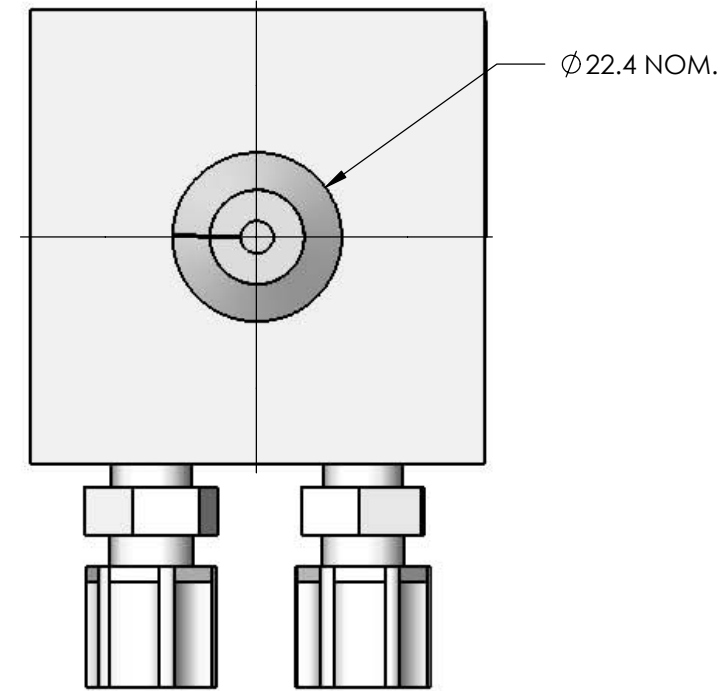
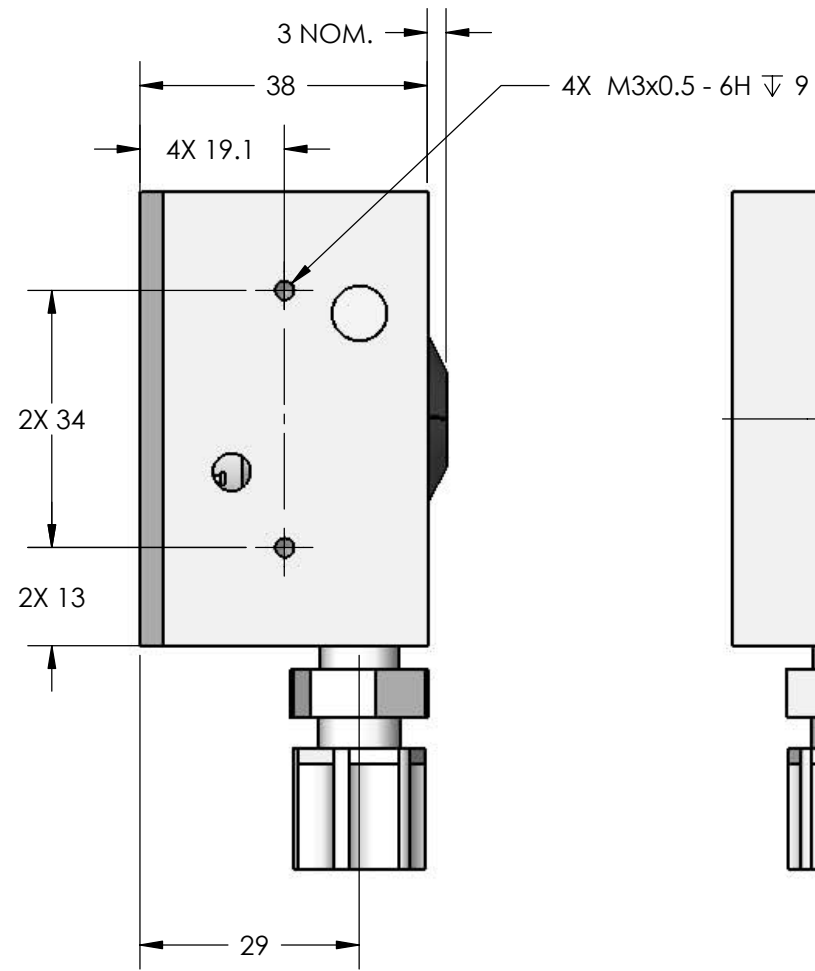
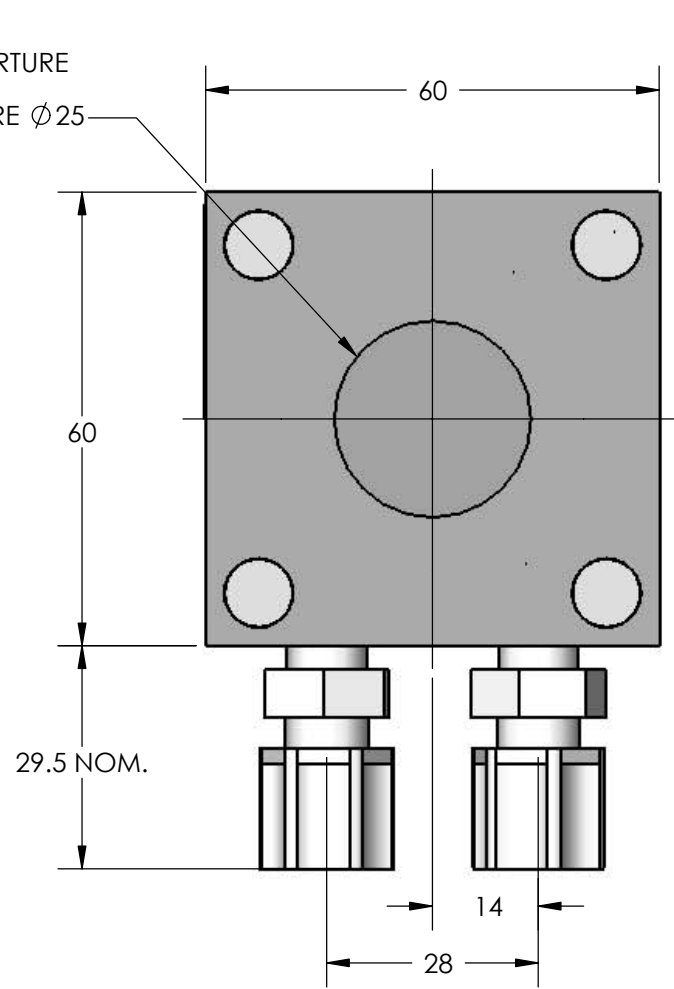
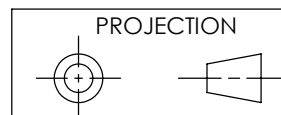


MECHANICAL APERTURE
1-1/16-28UN, 2B
OPTICAL APERTURE $\phi 25$



DIMENSIONS IN mm

IMPORTANT:
THIS DOCUMENT
IS PROPERTY OF
GENTEC ELECTRO-
OPTICS, IT CANNOT
BE DISTRIBUTED, USED
OR REPRODUCED IN
WHOLE OR IN PART
WITHOUT EXPRESS
WRITTEN AUTHORIZATION



REF.	REVISION	DATE	VER	APP																															
<table border="0"> <tr> <td>TOLERANCE</td> <td></td> <td colspan="3" rowspan="4" style="text-align: center; vertical-align: middle;"> </td> </tr> <tr> <td>DEC.</td> <td>±</td> </tr> <tr> <td>FRAC.</td> <td>±</td> </tr> <tr> <td>ANGLE</td> <td>±</td> </tr> <tr> <td>APP.</td> <td colspan="4" style="text-align: center;">LAYOUT DRAWING</td> </tr> <tr> <td>VER.</td> <td colspan="4" style="text-align: center;">UP25Z</td> </tr> <tr> <td>DATE</td> <td>22/09/2005</td> <td colspan="2" style="text-align: center; vertical-align: middle;"> </td> <td style="text-align: center; vertical-align: middle;"> </td> </tr> <tr> <td>SCALE</td> <td>1:1</td> <td colspan="3"></td> </tr> </table>					TOLERANCE					DEC.	±	FRAC.	±	ANGLE	±	APP.	LAYOUT DRAWING				VER.	UP25Z				DATE	22/09/2005				SCALE	1:1			
TOLERANCE																																			
DEC.	±																																		
FRAC.	±																																		
ANGLE	±																																		
APP.	LAYOUT DRAWING																																		
VER.	UP25Z																																		
DATE	22/09/2005																																		
SCALE	1:1																																		
<table border="0"> <tr> <td>APP.</td> <td colspan="4" style="text-align: center;">RonaldVH</td> </tr> </table>					APP.	RonaldVH																													
APP.	RonaldVH																																		