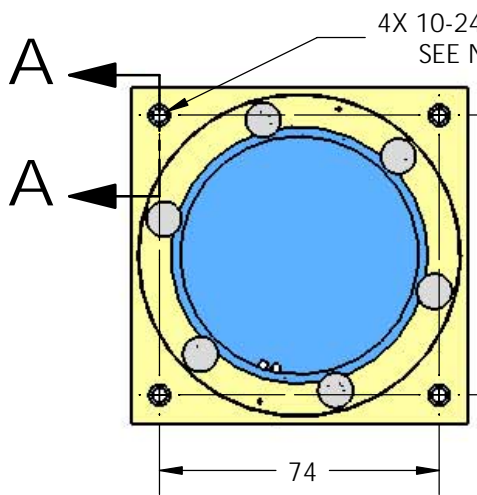
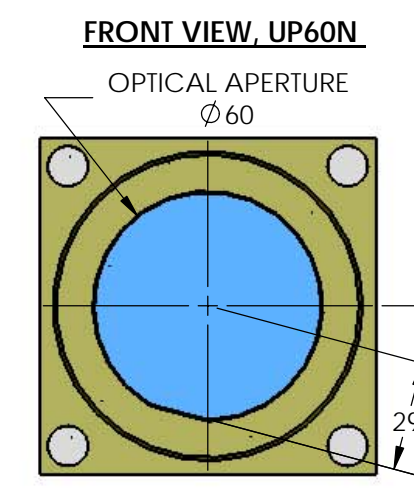
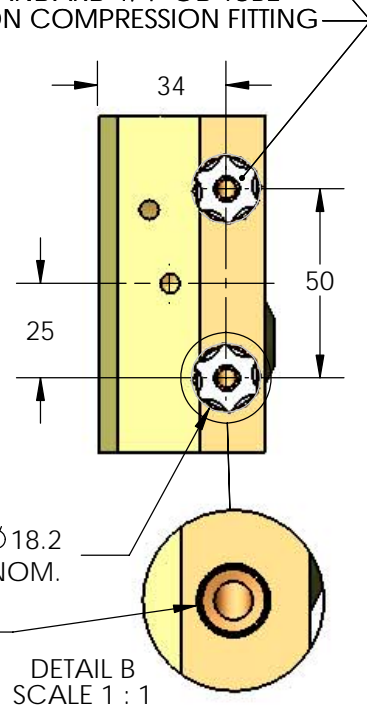
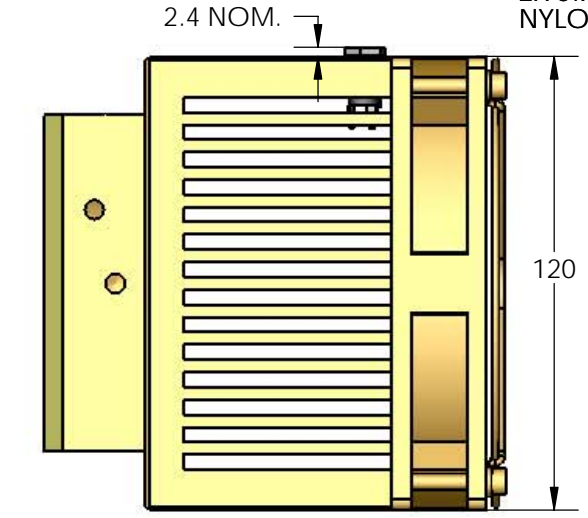
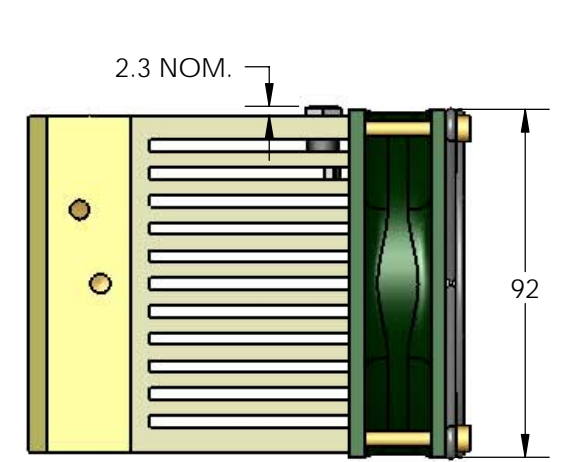
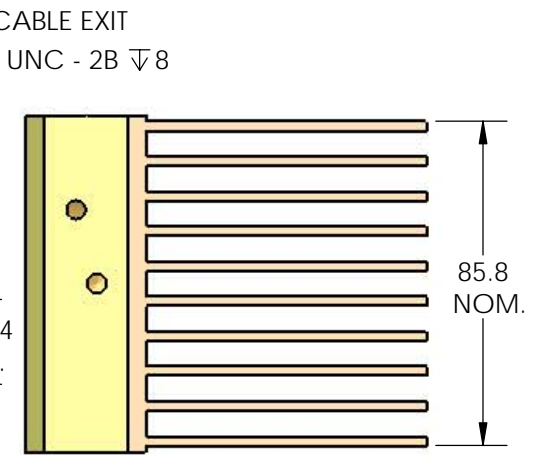
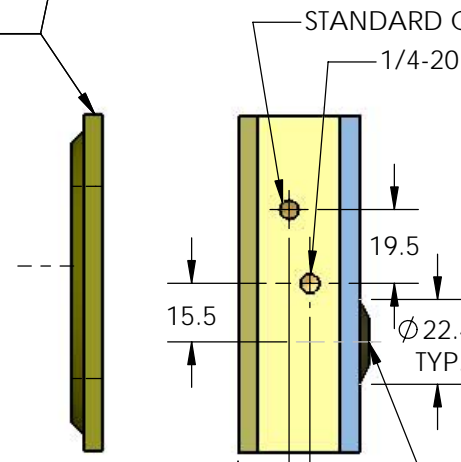
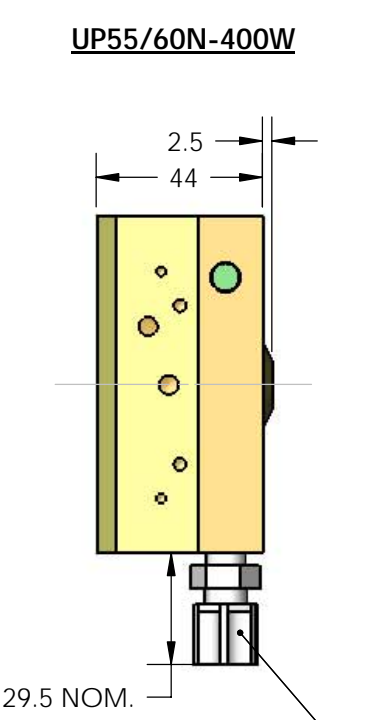
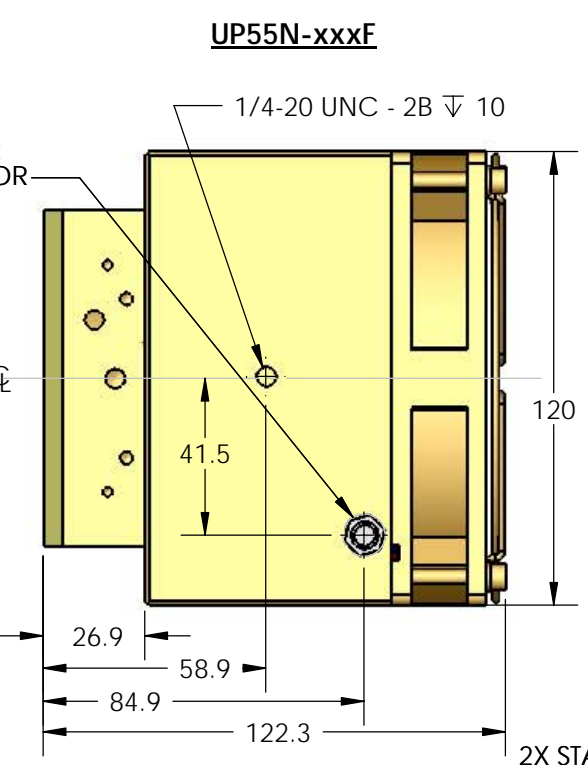
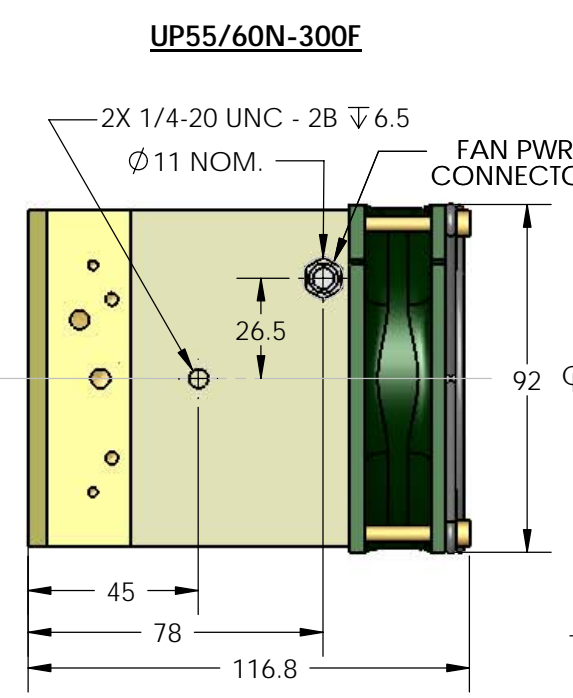
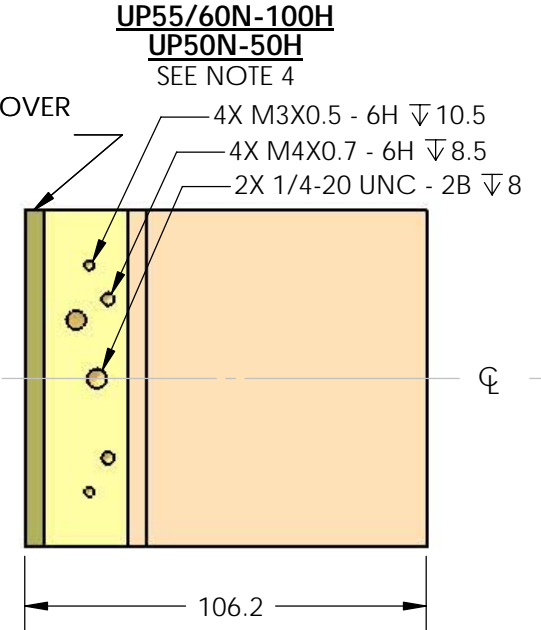
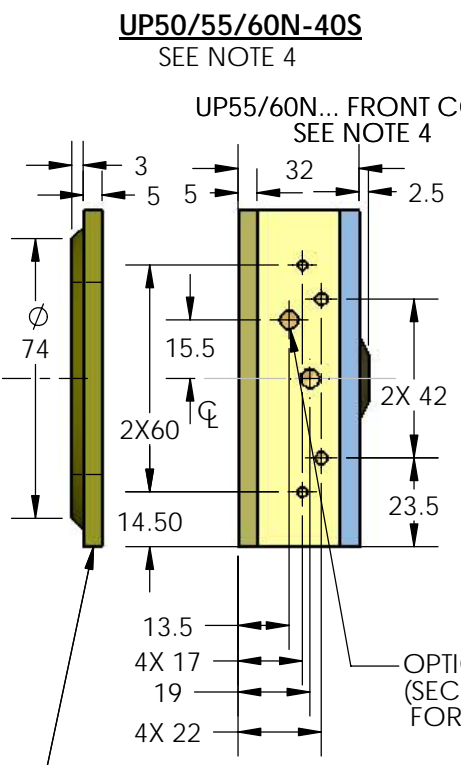


UP50N...
FRONT COVER
SEE P 2 OF 2 FOR DETAILS
ALSO SEE NOTE 4

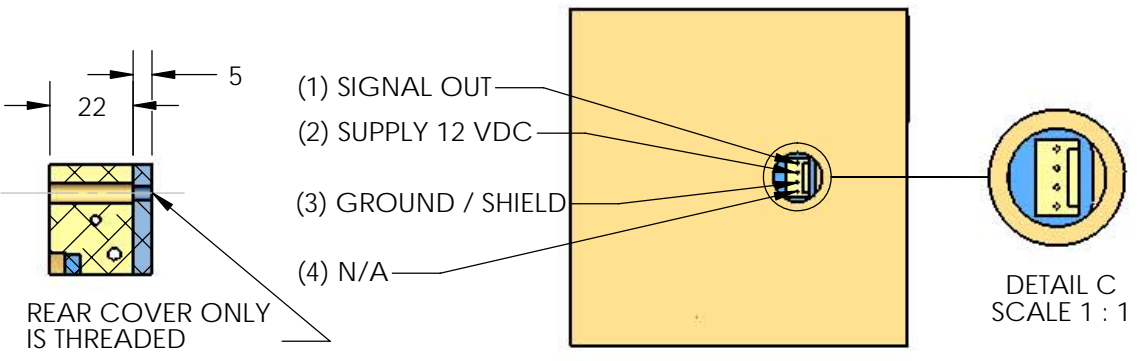


UP50/55/60N ASSEMBLY WITHOUT FRONT COVER



NOTES:
1- DIMENSIONS IN mm
2- FASTENER LENGTH = 27mm + THICKNESS OF CUSTOMER SUPPLIED MOUNT
3- WATTMETER MUST BE FASTENED FROM THE FRONT IN ORDER TO SUPPORT THE BODY AND THE REAR COVER OR HEATSINK.
4- THESE RIGHT SIDE AND BOTTOM VIEWS APPLY TO BOTH UP55/60N AND UP50N CONFIGURATIONS. FOR UP50N CONFIGURATIONS REPLACE UP55/60N FRONT COVERS WITH UP50N FRONT COVER; SEE PAGE 2 OF 2 FOR DETAILS

OPTIONAL UP...MT-B MOLEX CONNECTOR PIN OUT

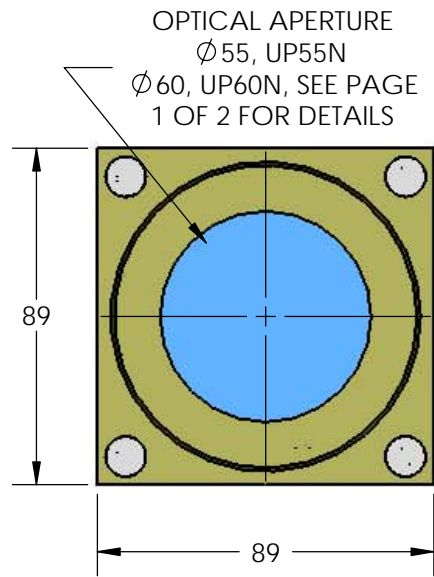


IMPORTANT:
THIS DOCUMENT IS PROPERTY OF GENTEC ELECTRO-OPTICS, IT CANNOT BE DISTRIBUTED, USED OR REPRODUCED IN WHOLE OR IN PART WITHOUT EXPRESS WRITTEN AUTHORIZATION

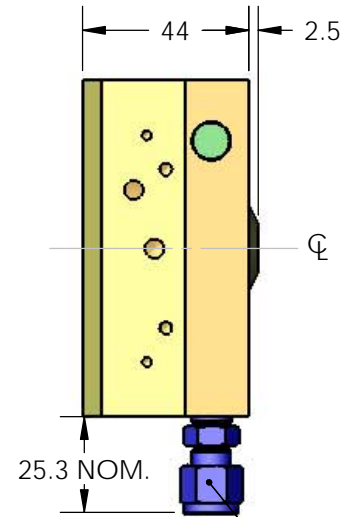
B	ACCORDING TO ACI-0623	01/12/06	RVH		
REF.	REVISION	DATE	VER	APP	

A	UP5x... DI VERSION ADDED TO P2 OF 2	18072006	RVH		
REF.	REVISION	DATE	VER	APP	
TOLERANCE					
DEC.	±				
FRAC.	±				
ANGLE	±				
APP.					
VER.					
LAYOUT DRAWING					
UP50/55/60N...					
DATE	07/12/2005				
1:2					
SK-8473				A3	
				1 OF 2	

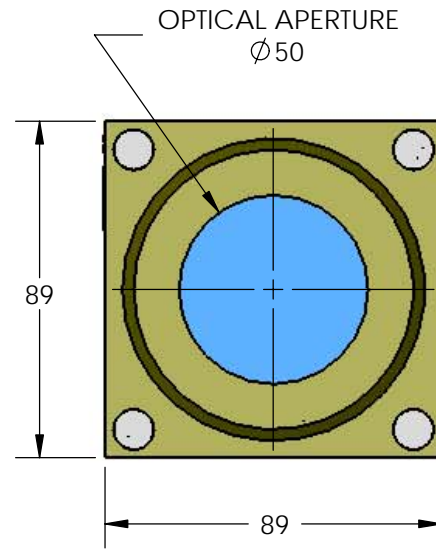
**FRONT VIEW, UP55N...
UP60N...**



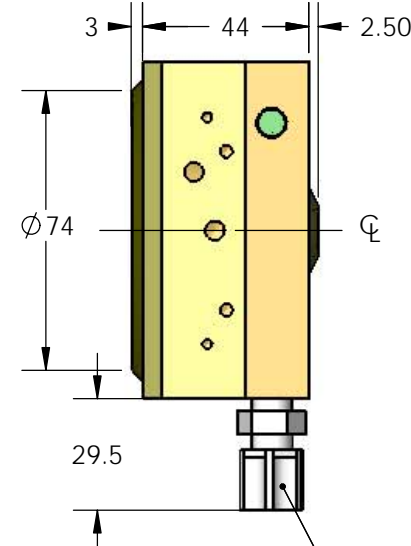
UP55/60N-xxxDI



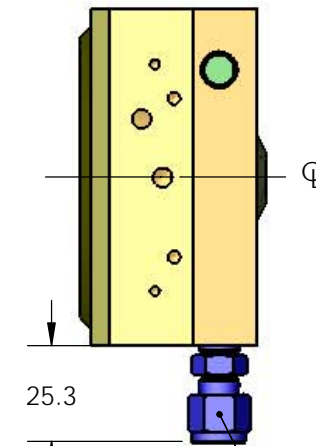
FRONT VIEW, UP50N...



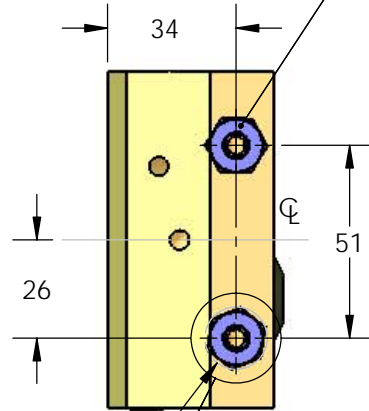
UP50N-50W



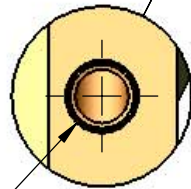
UP50N-xxDI



2X STANDARD 1/4" OD TUBE
SST COMPRESSION FITTINGS



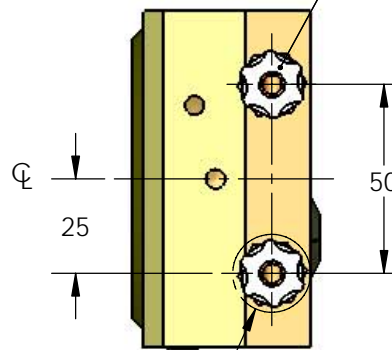
2X Ø16.50
NOM.



DETAIL D
SCALE 1 : 1

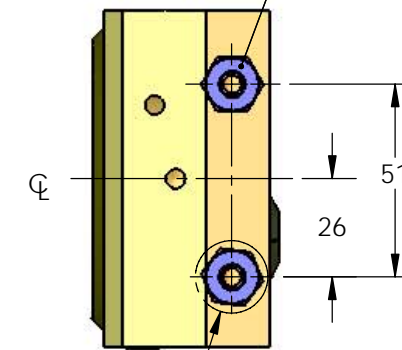
2X 1/8 NPT ∇ 11
(COMPRESSION
FITTING REMOVED)

2X STANDARD 1/4" OD TUBE
NYLON COMPRESSION FITTING



SEE DETAIL B

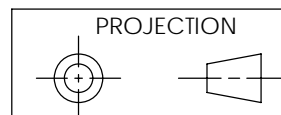
2X STANDARD 1/4" OD TUBE
SST COMPRESSION FITTINGS



SEE DETAIL D

NOTES:
1- DIMENSIONS IN mm
2- SEE P1 OF 2 FOR OTHER DETAILS

IMPORTANT:
THIS DOCUMENT
IS PROPERTY OF
GENTEC ELECTRO-
OPTICS, IT CANNOT
BE DISTRIBUTED, USED
OR REPRODUCED IN
WHOLE OR IN PART
WITHOUT EXPRESS
WRITTEN AUTHORIZATION



B	ACCORDING TO ACI-0623	01/12/06	RVH	
A	UP5x... DI VERSION ADDED TO P2 OF 2	18072006	RVH	
REF.	REVISION	DATE	VER	APP
TOLERANCE				
DEC.	±			
FRAC.	±			
ANGLE	±			
APP.	LAYOUT DRAWING			
VER.				
DATE				
DATE	07/12/2005	SK-8473		
	1:2	2 OF 2		A3