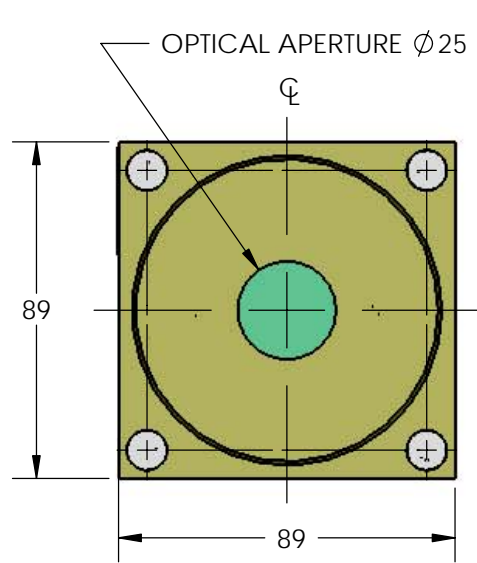
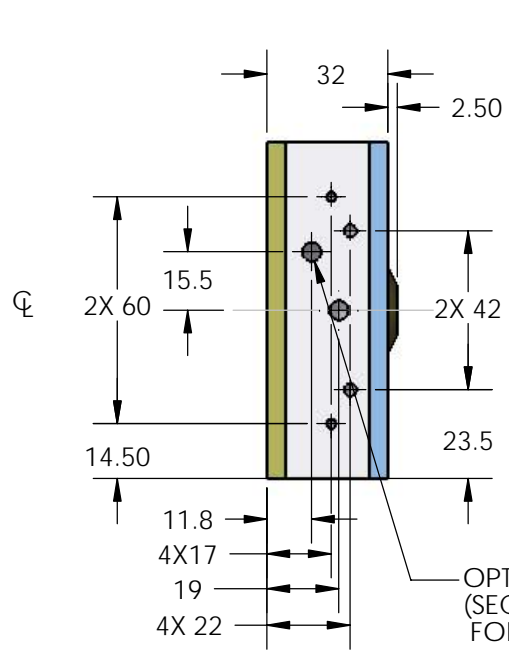


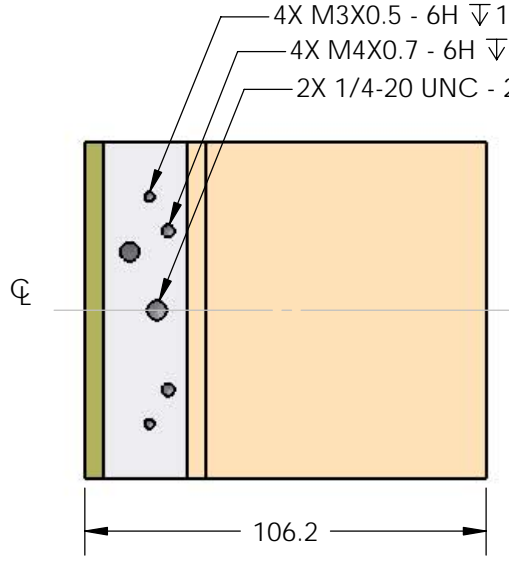
**FRONT VIEW, UP25N...**



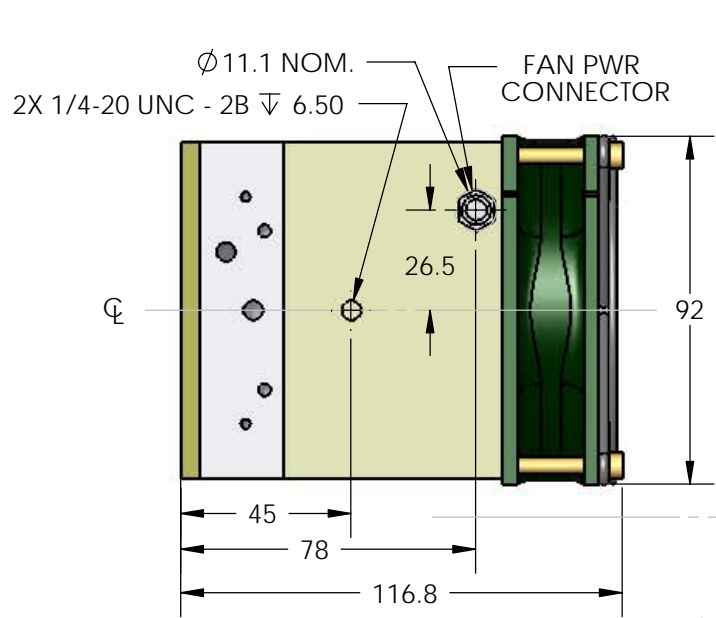
**UP25N-40S**



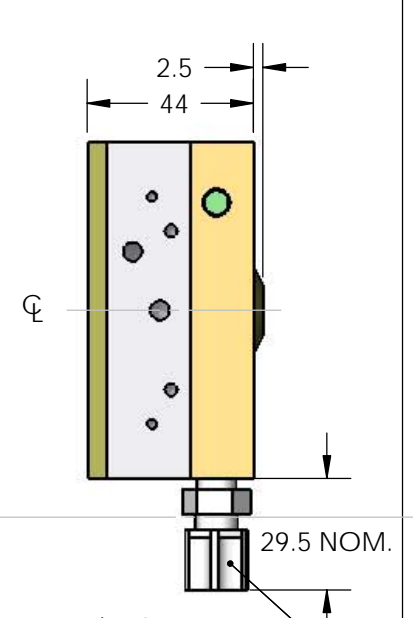
**UP25N-100H**



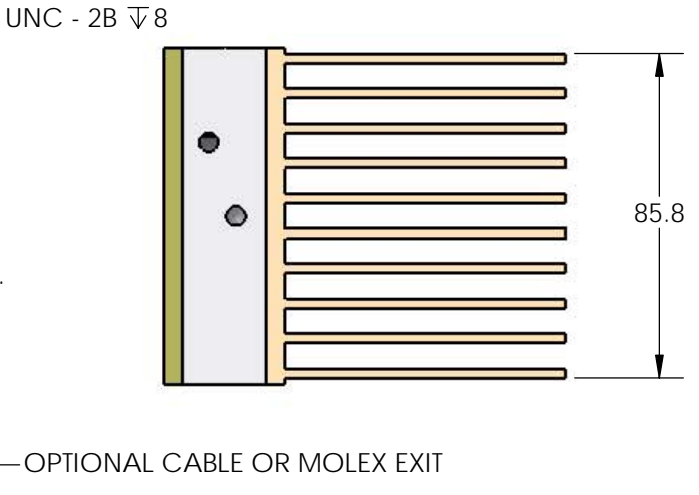
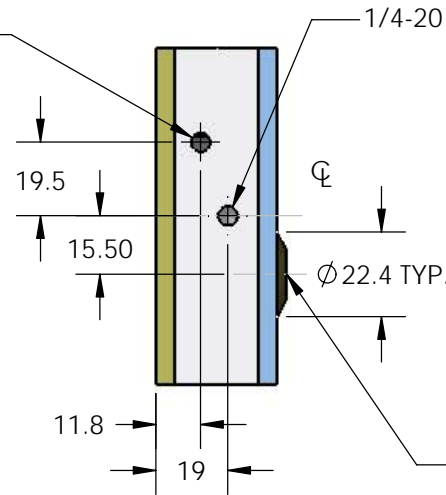
**UP25N-250F**



**UP25N-300W**

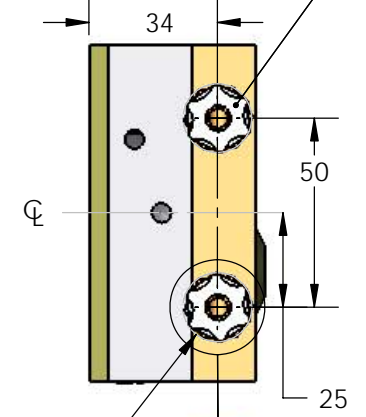
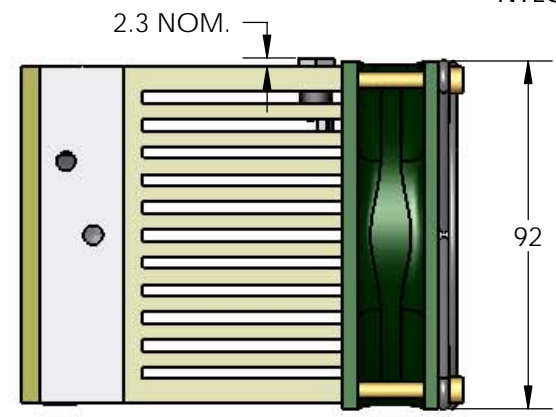


**STANDARD CABLE EXIT**

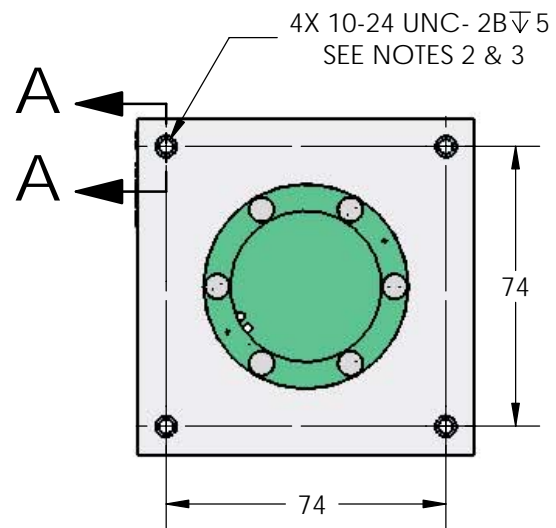
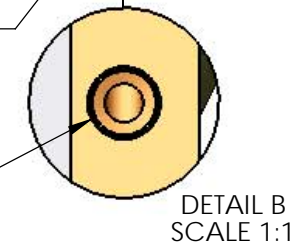


- NOTES:**  
 1- DIMENSIONS IN mm  
 2- FASTENER LENGTH = 27mm + THICKNESS OF CUSTOMER SUPPLIED MOUNT  
 3- WATTMETER MUST BE FASTENED FROM THE FRONT IN ORDER TO SUPPORT THE BODY AND THE REAR COVER OR HEATSINK.

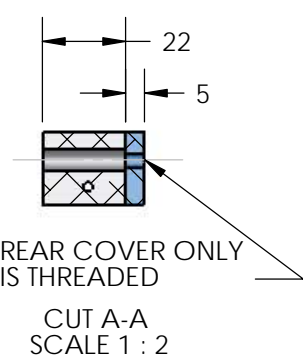
**2X STANDARD 1/4" OD TUBE NYLON COMPRESSION FITTING**



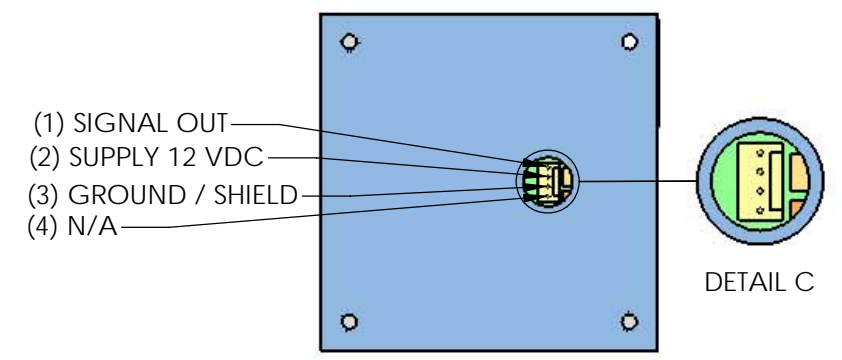
**2X 1/8 NPT 11 (COMPRESSION FITTING REMOVED)**



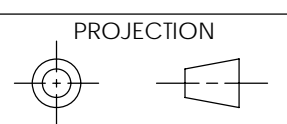
**UP25N ASSEMBLY WITHOUT FRONT COVER**



**OPTIONAL UP25N...-MT-B MOLEX CONNECTOR PIN OUT**

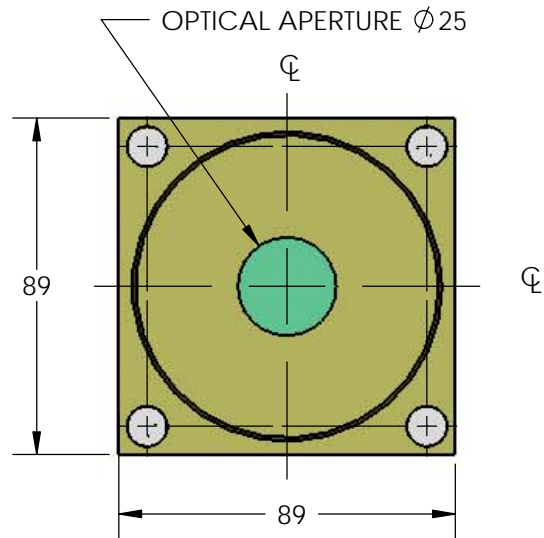


**IMPORTANT:**  
 THIS DOCUMENT IS PROPERTY OF GENTEC ELECTRO-OPTICS, IT CANNOT BE DISTRIBUTED, USED OR REPRODUCED IN WHOLE OR IN PART WITHOUT EXPRESS WRITTEN AUTHORIZATION

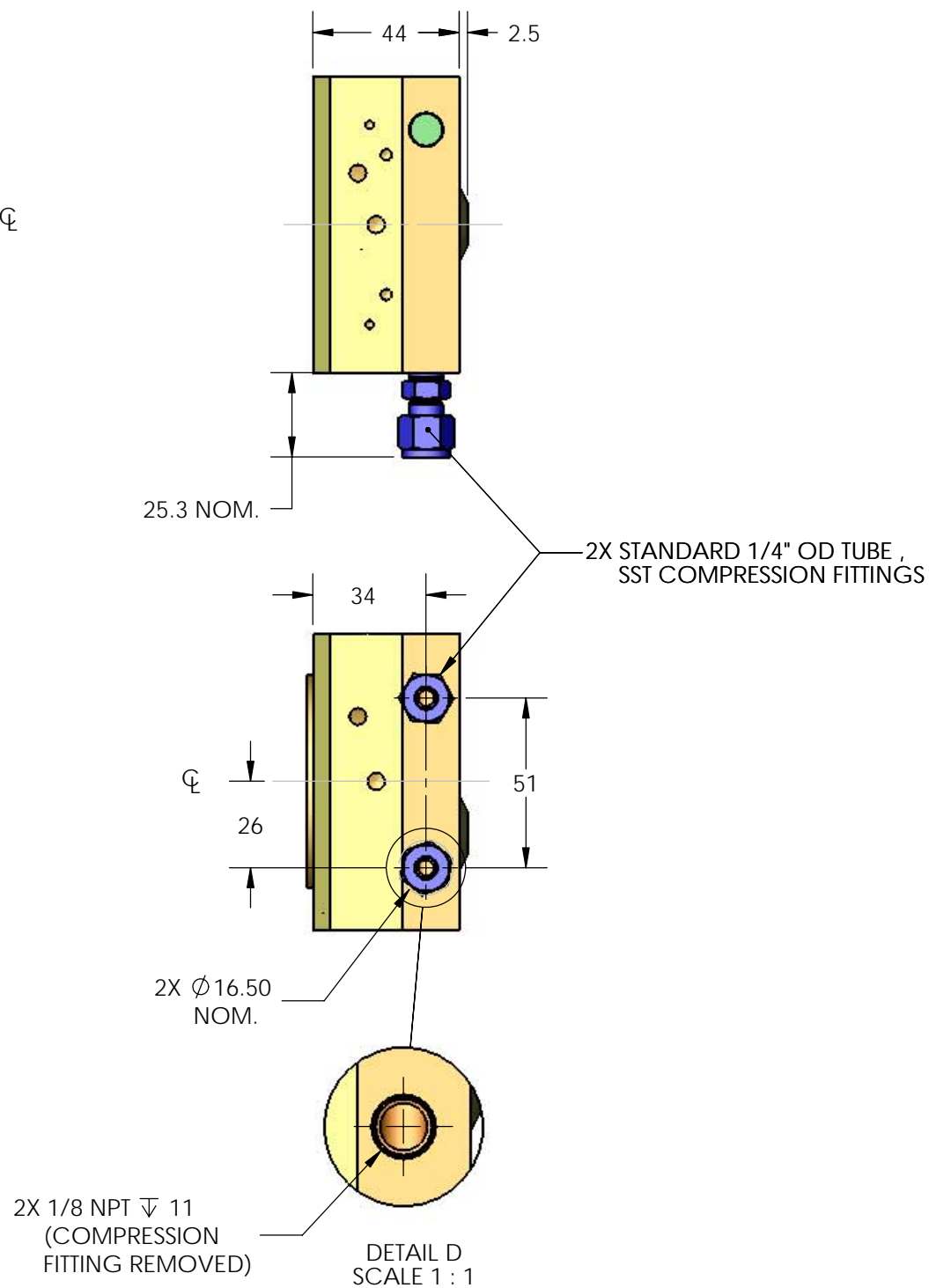


A	UP2x... DI VERSION ADDED TO P2 OF 2	25082006	RVH		
REF.	REVISION	DATE	VER	APP	
TOLERANCE					
DEC.	±				
FRAC.	±				
APP.	ANGLE	±	LAYOUT DRAWING		
VER.		UP25N...			
Ronald VH		SK-8474			
DATE	08/12/2005	1 OF 2		A3	
	1:2				

**FRONT VIEW, UP25N...**



**UP55/60N-xxxDI  
UP50N-xxDI**

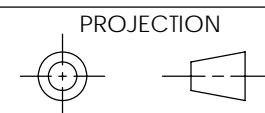


2X 1/8 NPT  $\nabla$  11  
(COMPRESSION  
FITTING REMOVED)

DETAIL D  
SCALE 1 : 1

NOTES:  
1- DIMENSIONS IN mm  
2- SEE P1 OF 2 FOR OTHER DETAILS

**IMPORTANT:**  
THIS DOCUMENT  
IS PROPERTY OF  
GENTEC ELECTRO-  
OPTICS, IT CANNOT  
BE DISTRIBUTED, USED  
OR REPRODUCED IN  
WHOLE OR IN PART  
WITHOUT EXPRESS  
WRITTEN AUTHORIZATION



A	UP2x... DI VERSION ADDED TO P2 OF 2	25082006	RVH		
REF.	REVISION	DATE	VER	APP	
TOLERANCE					
DEC.	±				
FRAC.	±				
ANGLE	±				
APP.		LAYOUT DRAWING			
VER.					
	Ronald VH	UP25N...			
DATE	25/08/2006	SK-8474		A3	
	1:2	2 OF 2			