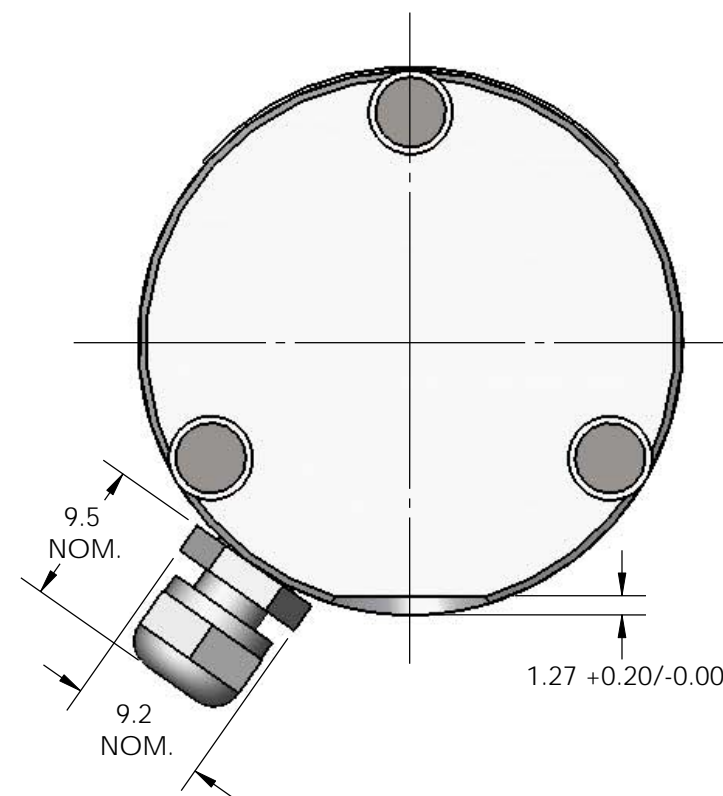
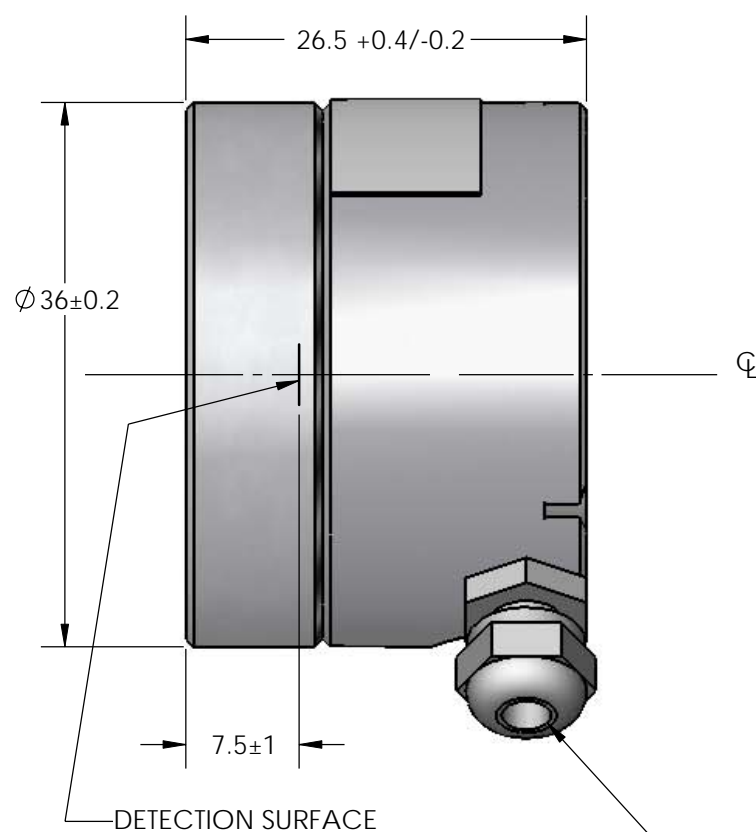
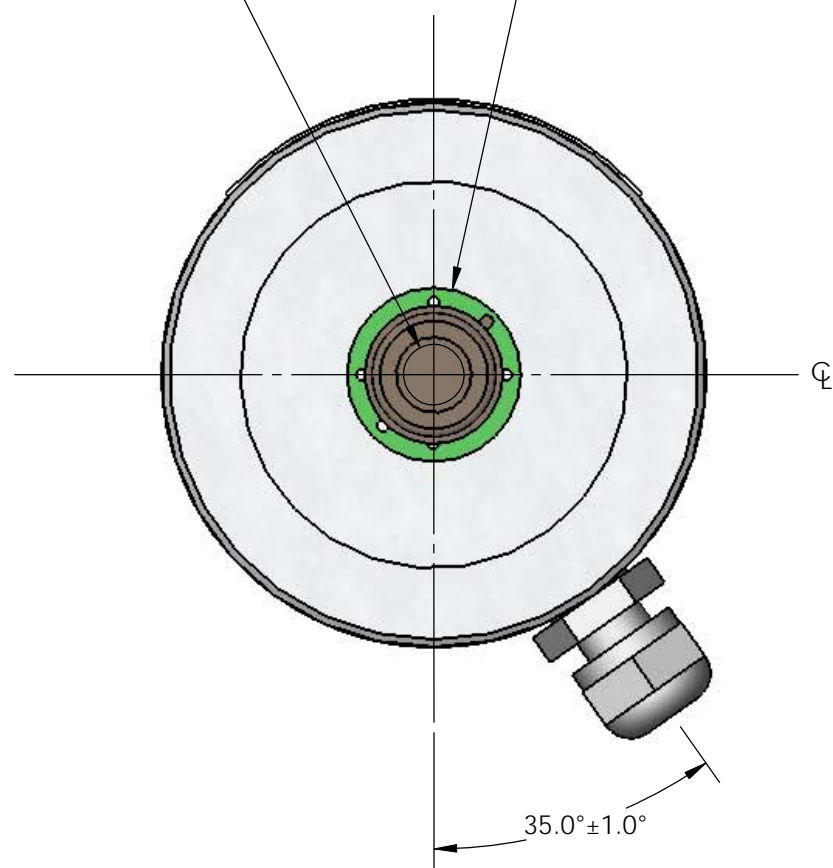
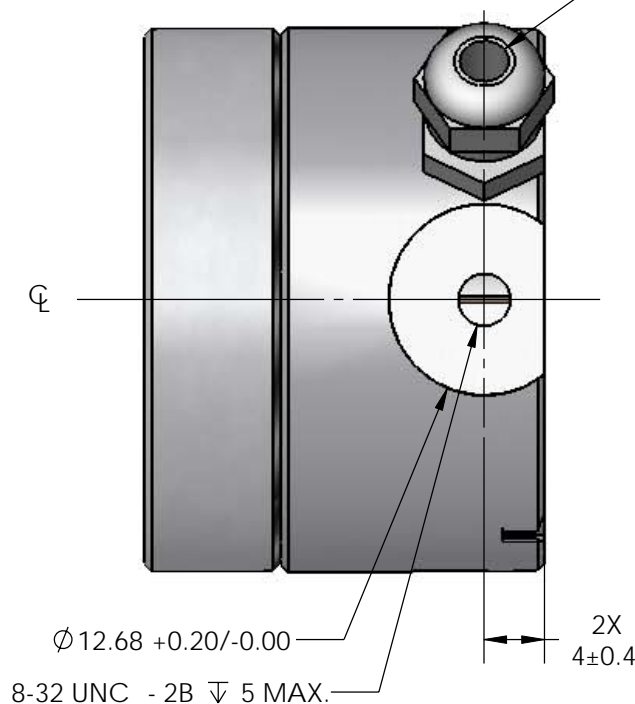


OPTICAL APERTURE, $\phi 4$

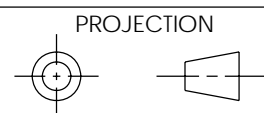
MECHANICAL APERTURE, $\phi 11.5 \pm 0.2$



OUTPUT CABLE STRAIN RELIEF



IMPORTANT:
THIS DOCUMENT IS PROPERTY OF GENTEC ELECTRO-OPTICS, IT CANNOT BE DISTRIBUTED, USED OR REPRODUCED IN WHOLE OR IN PART WITHOUT EXPRESS WRITTEN AUTHORIZATION



REF.	REVISION	DATE	VER	APP
TOLERANCE				
DEC.	±			
FRAC.	±			
ANGLE	±	LAYOUT DRAWING		
APP.		XLE-4		
VER.		SK-9037		
DATE	2010/05/06	A3		
	2:1			