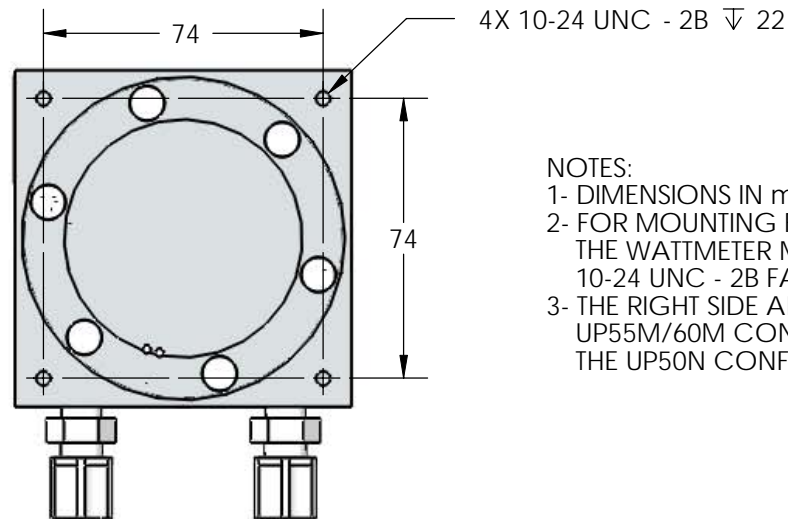
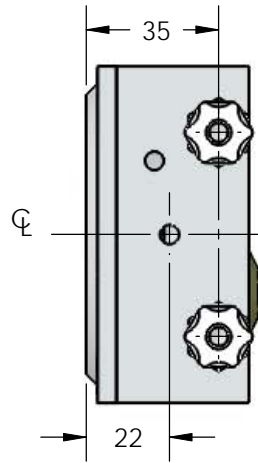
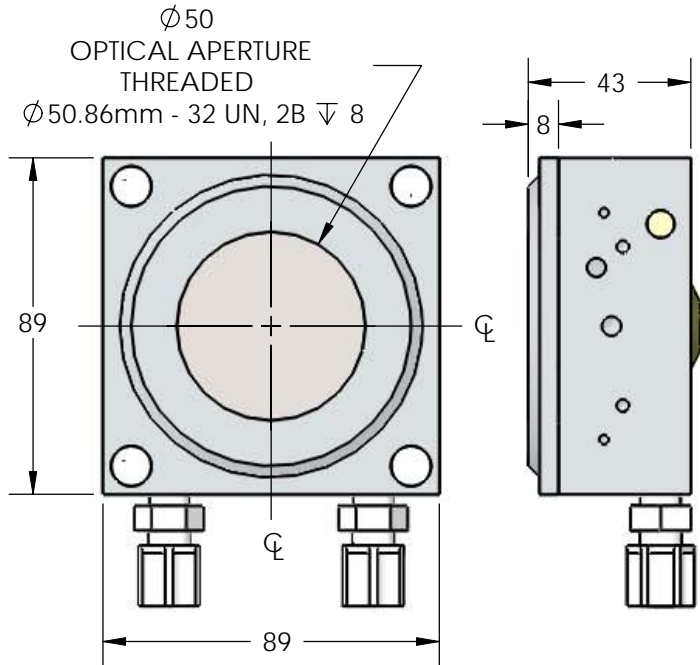
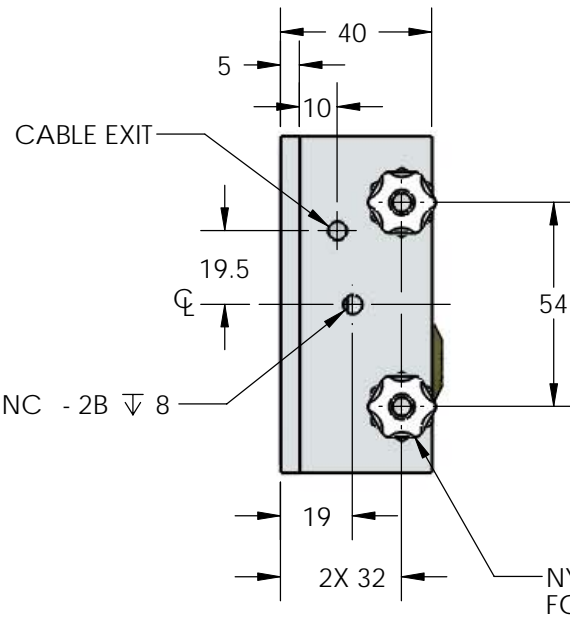
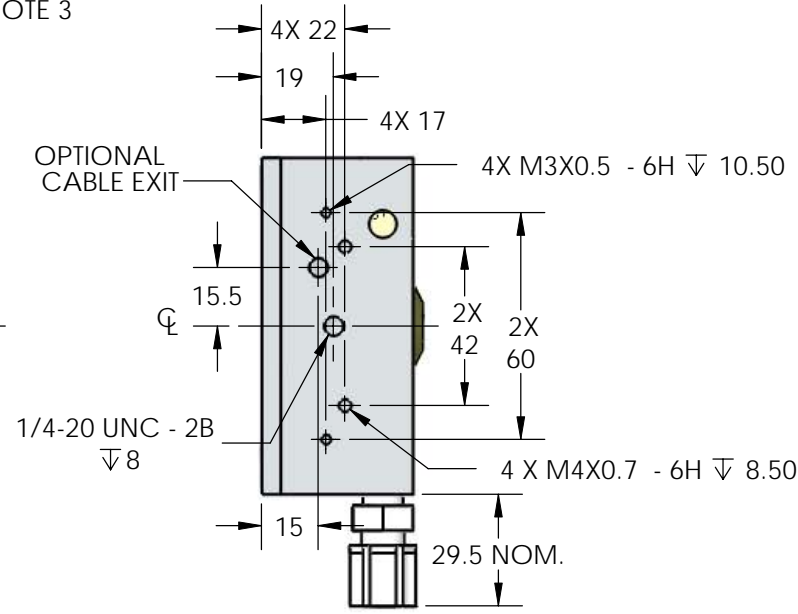
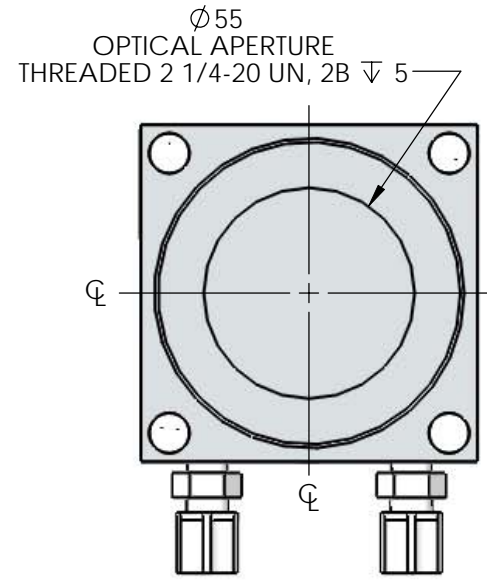


UP50M-50W-W9-DO/MT

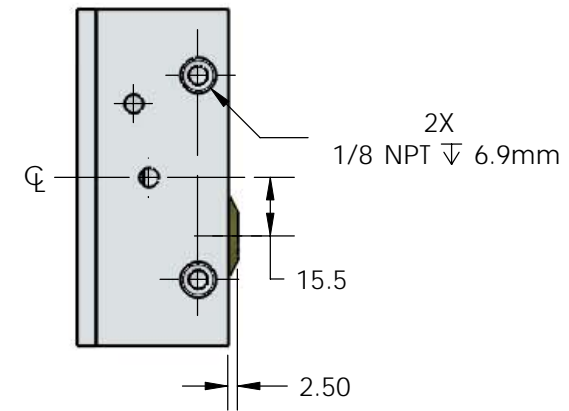


UP50/55/60M MOUNTING FROM FRONT WITHOUT COVER
SEE NOTE 2

UP55M-500W-H12-DO/MT
UP55M-600W-HD-DO
SEE NOTE 3

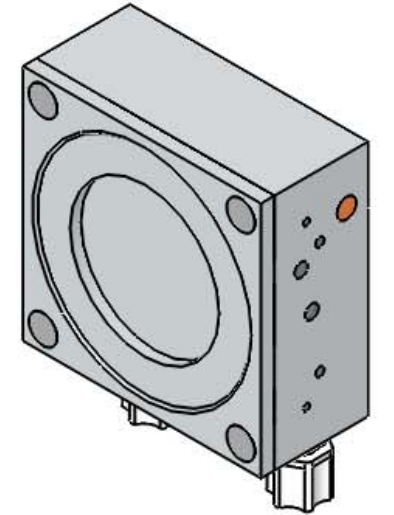
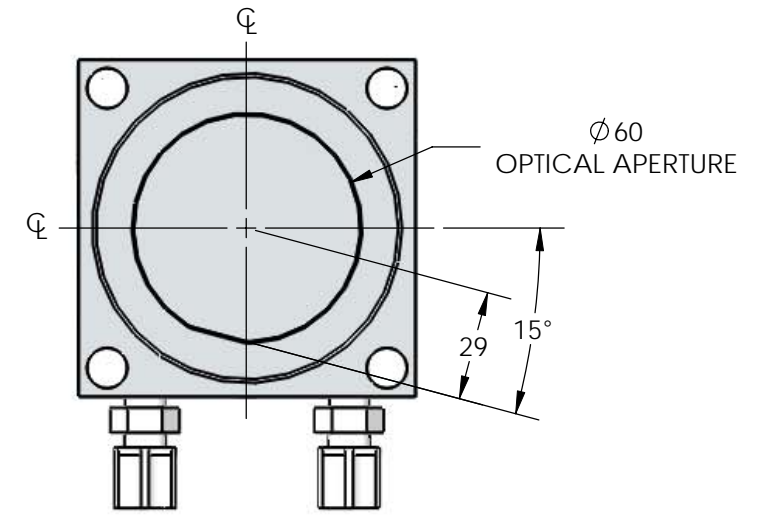


BOTTOM VIEW
FITTINGS REMOVED



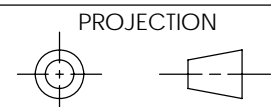
NYLON COMPRESSION FITTING FOR Ø 1/4" OD TUBING

FRONT VIEW
UP60M-500W-H12-DO
SEE NOTE 3



- NOTES:
1- DIMENSIONS IN mm
2- FOR MOUNTING FROM THE FRONT WITHOUT A FRONT COVER THE WATTMETER MUST BE FASTENED FROM THE FRONT; USE FOUR 10-24 UNC - 2B FASTENERS.
3- THE RIGHT SIDE AND BOTTOM VIEWS APPLY TO BOTH UP55M/60M CONFIGURATIONS. THE UP50N CONFIGURATION HAS A THICKER COVER.

IMPORTANT:
THIS DOCUMENT IS PROPERTY OF GENTEC ELECTRO-OPTICS, IT CANNOT BE DISTRIBUTED, USED OR REPRODUCED IN WHOLE OR IN PART WITHOUT EXPRESS WRITTEN AUTHORIZATION



REF.	REVISION	DATE	VER	APP
<p>TOLERANCE</p> <p>DEC. ±</p> <p>FRAC. ±</p> <p>ANGLE ±</p> <p>√</p>				
<p>APP. LAYOUT DRAWING</p> <p>VER. UP50/55/60M</p>				
<p>Ronald VH</p> <p>DATE 2011/02/14</p> <p>1:2</p>				
<p>gentec-e</p>				<p>SK-9096</p>
				<p>A3</p>