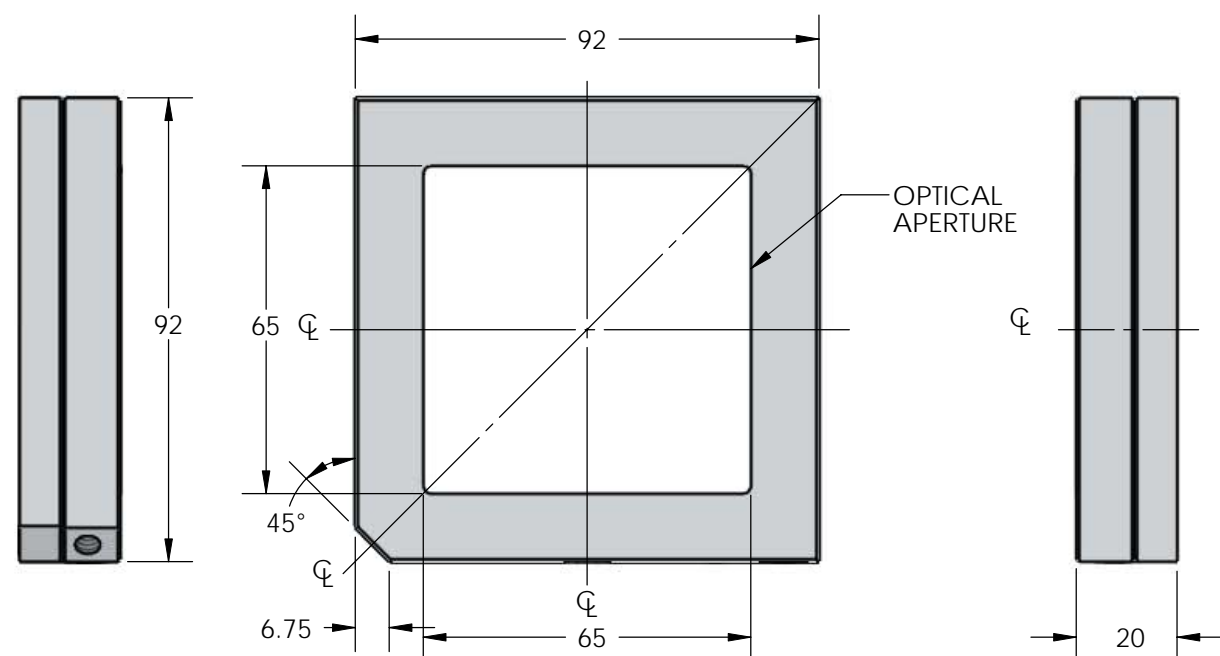
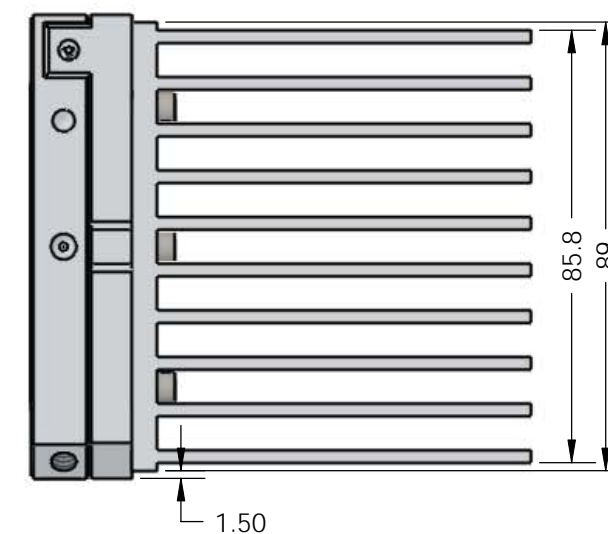
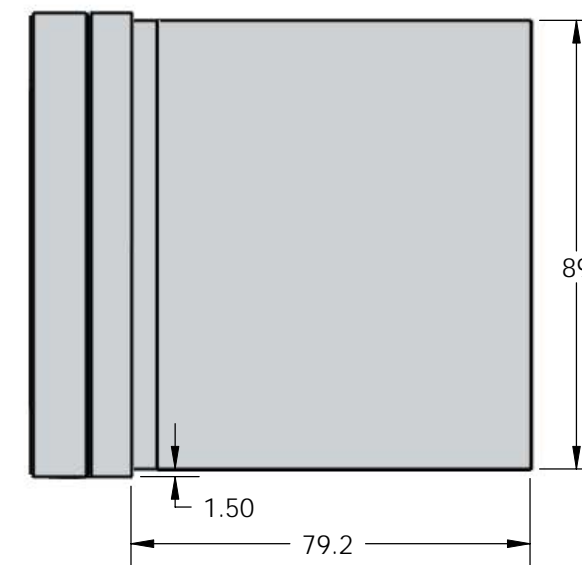
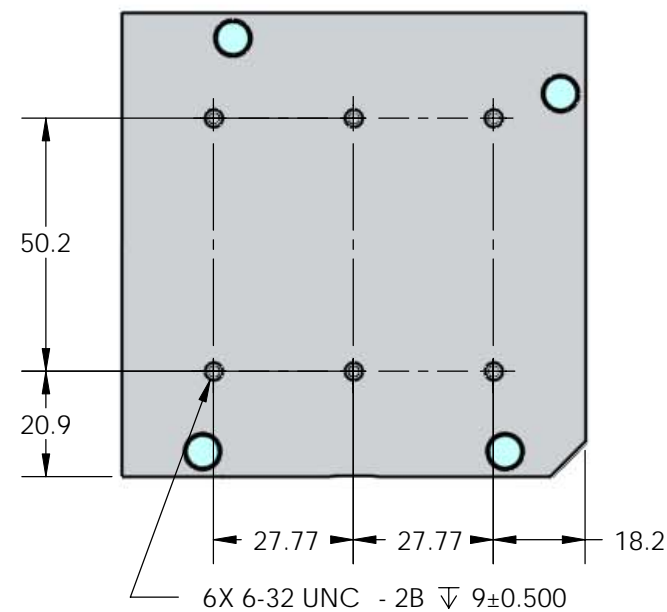


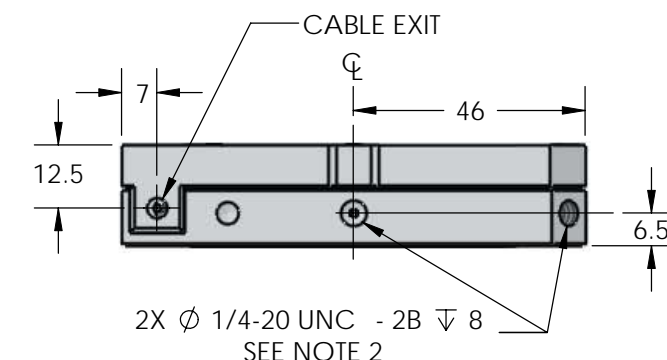
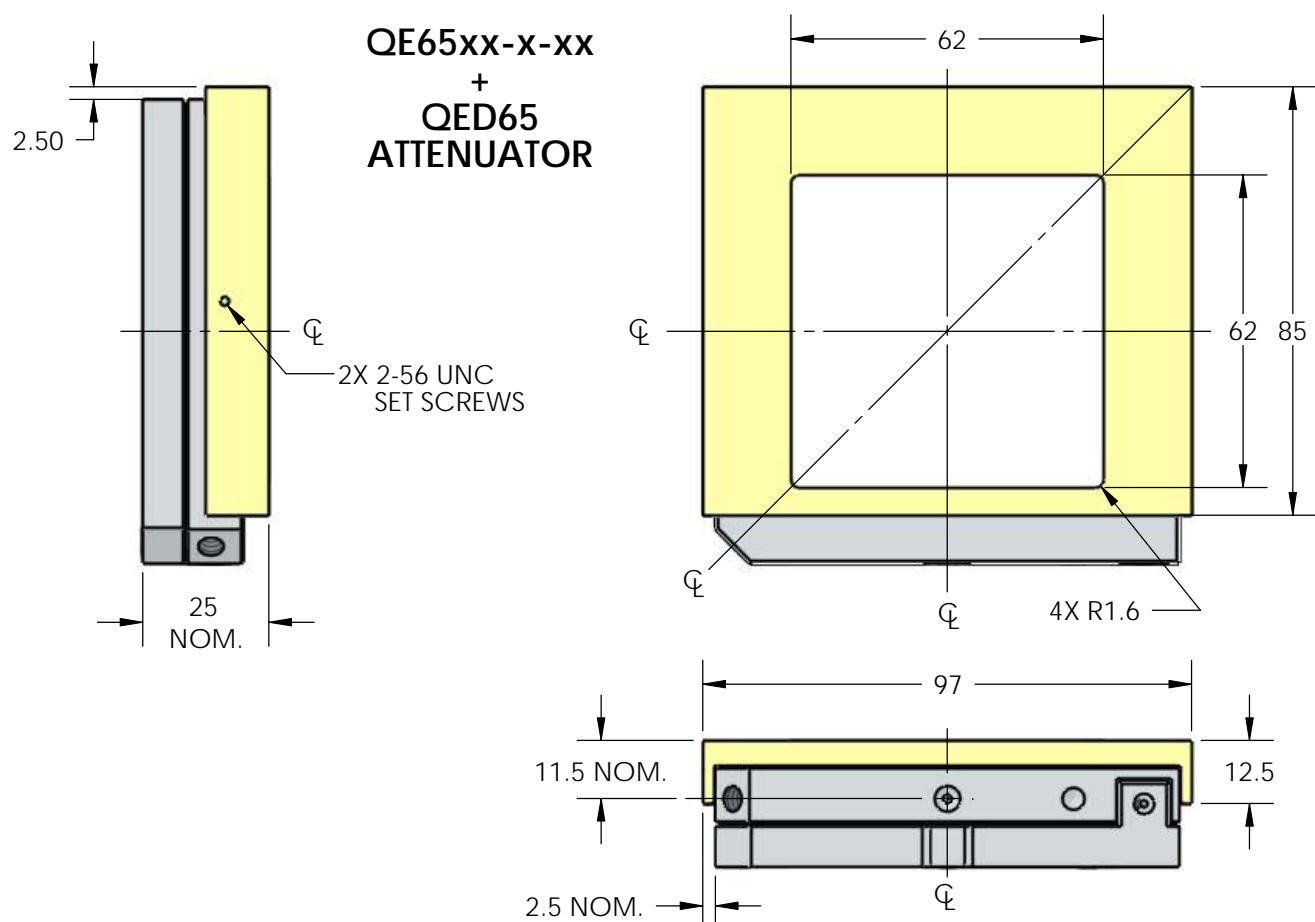
QE65xx-S-xx



QE65xx-H-xx

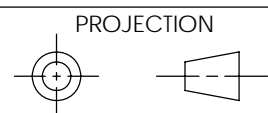


QE65xx-x-xx  
+  
QED65  
ATTENUATOR



NOTES:  
1- DIMENSIONS IN mm  
2- FOR MOUNTING POST

**IMPORTANT:**  
THIS DOCUMENT  
IS PROPERTY OF  
GENTEC ELECTRO-  
OPTICS, IT CANNOT  
BE DISTRIBUTED, USED  
OR REPRODUCED IN  
WHOLE OR IN PART  
WITHOUT EXPRESS  
WRITTEN AUTHORIZATION



| REF.   | REVISION   | DATE | VER | APP |
|--|------------|------|-----|-----|
| TOLERANCE  |            |      |     |     |
| DEC.   | ±          |      |     |     |
| FRAC.  | ±          |      |     |     |
| ANGLE  | ±          |      |     |     |
| APP.   |            |      |     |     |
| VER.   |            |      |     |     |
|  | Ronald VH  |      |     |     |
| DATE   | 2010/02/23 |      |     |     |
|  | 2:3        |      |     |     |
| <b>gentec-e</b>  |            |      |     |     |
| LAYOUT DRAWING<br>JouleMeter and Attenuator<br>QE65 SERIES |            |      |     |     |
| SK-9009  |            |      |     | A3  |