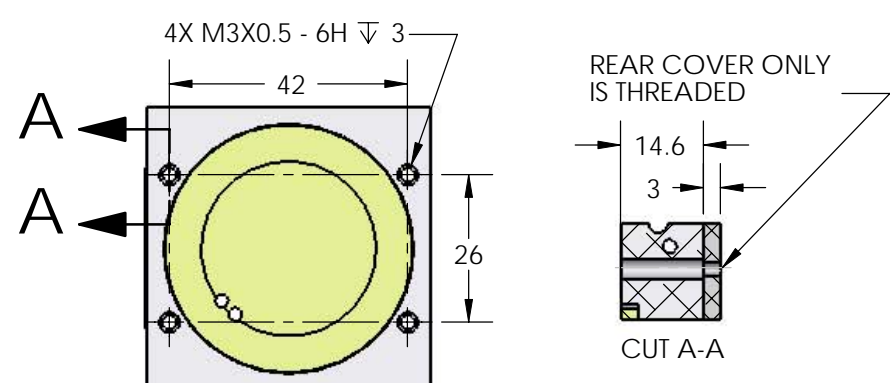
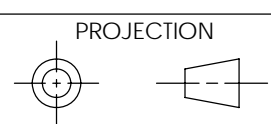


- NOTES:**
- 1- DIMENSIONS IN mm
 - 2- THREADED 0.782"-32 UN, 2B
 - 3- FASTENER LENGTH = 17.6mm + THICKNESS OF CUSTOMER SUPPLIED MOUNT
 - 4- WATTMETER MUST BE FASTENED FROM THE FRONT IN ORDER TO SUPPORT THE BODY, THE THERMAL DISK AND THE REAR COVER OR HEATSINK.
 - 5- DOES NOT APPLY TO UP19K-xxx-VM/VR
 - 6- WHEN USED WITH FIBER OPTIC ADAPTERS, THE UP19K-xxx-W5 MUST BE EQUIPPED WITH AN OPTIONAL FRONT COVER HAVING A ϕ 19mm MECHANICAL APERTURE, THREADED 0.782"-32 UN, 2B.



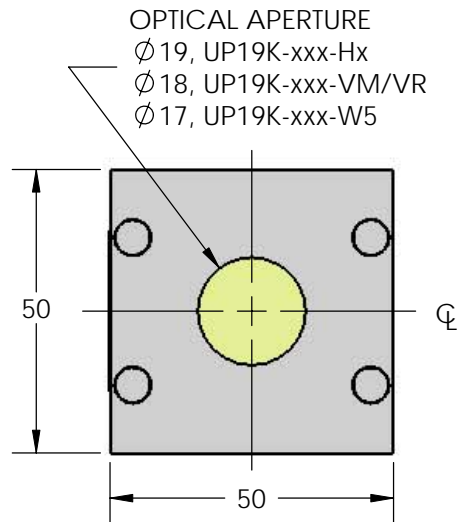
MOUNTING WITHOUT FRONT COVER: UP19K-xxx-Hx
SEE NOTES 4 & 5

IMPORTANT:
THIS DOCUMENT IS PROPERTY OF GENTEC ELECTRO-OPTICS, IT CANNOT BE DISTRIBUTED, USED OR REPRODUCED IN WHOLE OR IN PART WITHOUT EXPRESS WRITTEN AUTHORIZATION

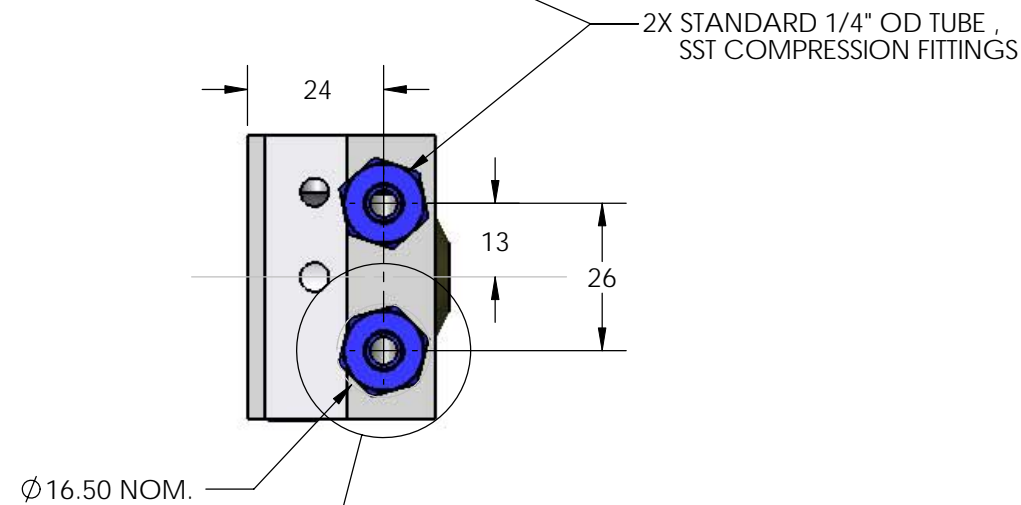
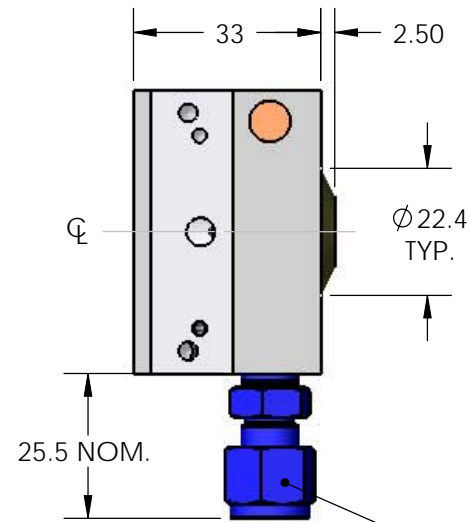


C	VR INFORMATION ADDED	09/11/18	RVH		
REF.	REVISION	DATE	VER	APP	
TOLERANCE					
DEC.	±				
FRAC.	±				
APP.	ANGLE	LAYOUT DRAWING			
VER.	√	UP19K... (WITHOUT PCB)			
DATE	13/12/2005	SK-8477			
	3:4	1 OF 3		A3	

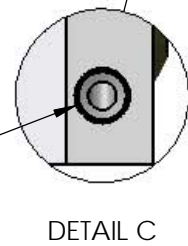
**FRONT VIEW,
UP19K...**



UP19K-100DI/150DI

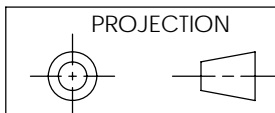


2X 1/8 NPT ∇ 12
 (COMPRESSION
 FITTING REMOVED)



NOTES:
 1- DIMENSIONS IN mm
 2- SEE P1 OF 3 FOR OTHER DETAILS

IMPORTANT:
 THIS DOCUMENT
 IS PROPERTY OF
 GENTEC ELECTRO-
 OPTICS, IT CANNOT
 BE DISTRIBUTED, USED
 OR REPRODUCED IN
 WHOLE OR IN PART
 WITHOUT EXPRESS
 WRITTEN AUTHORIZATION



REVISION	C	SEE PAGE 1 FOR DETAILS
----------	---	------------------------

TOLERANCE	
DEC.	±
FRAC.	±
ANGLE	±
√	

SEE PAGE 1 FOR APPROVAL

— Ronald VH

DATE 13/12/2005

3:4



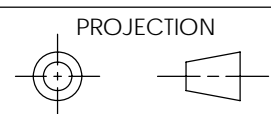
LAYOUT DRAWING
 UP19K... (WITHOUT PCB)

SK-8477

2 OF 3

A3

IMPORTANT:
 THIS DOCUMENT
 IS PROPERTY OF
 GENTEC ELECTRO-
 OPTICS, IT CANNOT
 BE DISTRIBUTED, USED
 OR REPRODUCED IN
 WHOLE OR IN PART
 WITHOUT EXPRESS
 WRITTEN AUTHORIZATION



C	VR INFORMATION ADDED	09/11/18	RVH		
B	NOTE 6 ADDED, RELATIVE TO UP19K-xxx-W5	29012007	RVH		
A	UP19K... DI VERSION ADDED TO P2 OF 2	17072006	RVH		
REF.	REVISION	DATE	VER	APP	
TOLERANCE					
DEC.	±				
FRAC.	±				
ANGLE	±				
√					
APP.	REVISION HISTORY UP19K... (WITHOUT PCB)				
VER.					
├ Ronald VH					
DATE	13/12/2005	SK-8477		3 OF 3	A4