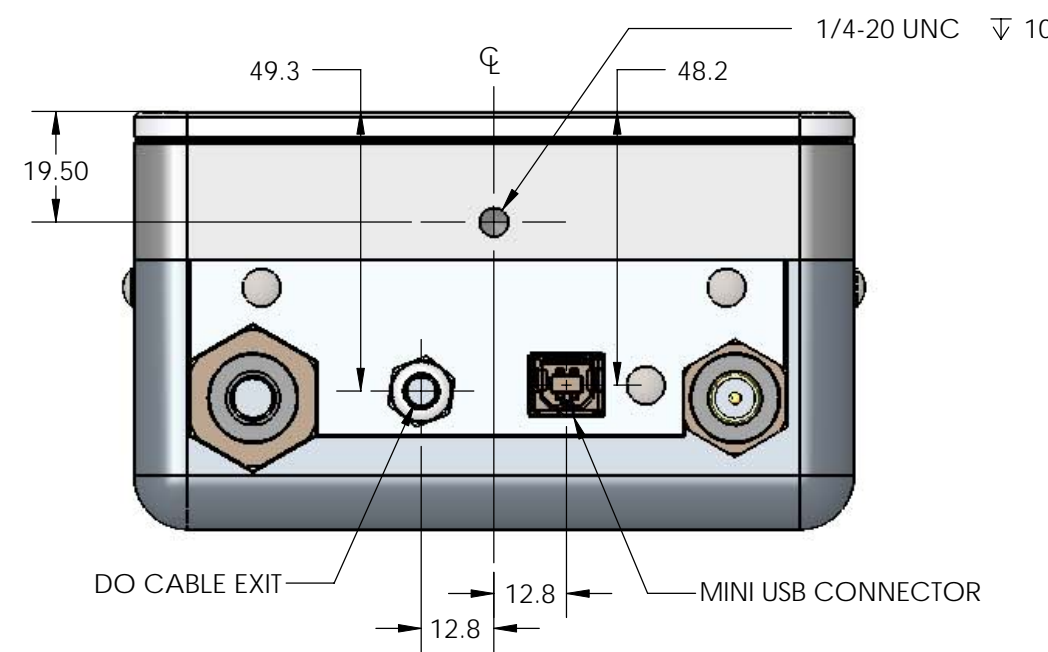
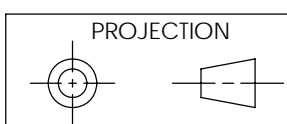


NOTE: DIMENSIONS IN mm



IMPORTANT:
THIS DOCUMENT IS PROPERTY OF GENTEC ELECTRO-OPTICS, IT CANNOT BE DISTRIBUTED, USED OR REPRODUCED IN WHOLE OR IN PART WITHOUT EXPRESS WRITTEN AUTHORIZATION



REF.	REVISION	DATE	VER	APP
C	OPTICAL APERTURE INCREASED TO 100mm	11/07/12	RVH	
B	SIDE FASTENERS ADDED	11/06/23	RVH	
A	GENERAL UPDATE	09/11/18	RVH	

TOLERANCE	
DEC.	±
FRAC.	±
ANGLE	±
	√



APP.
VER.
Ronald VH

LAYOUT DRAWING
HP100A-3KW

DATE 2008/09/09
3:4

SK-8773 A3