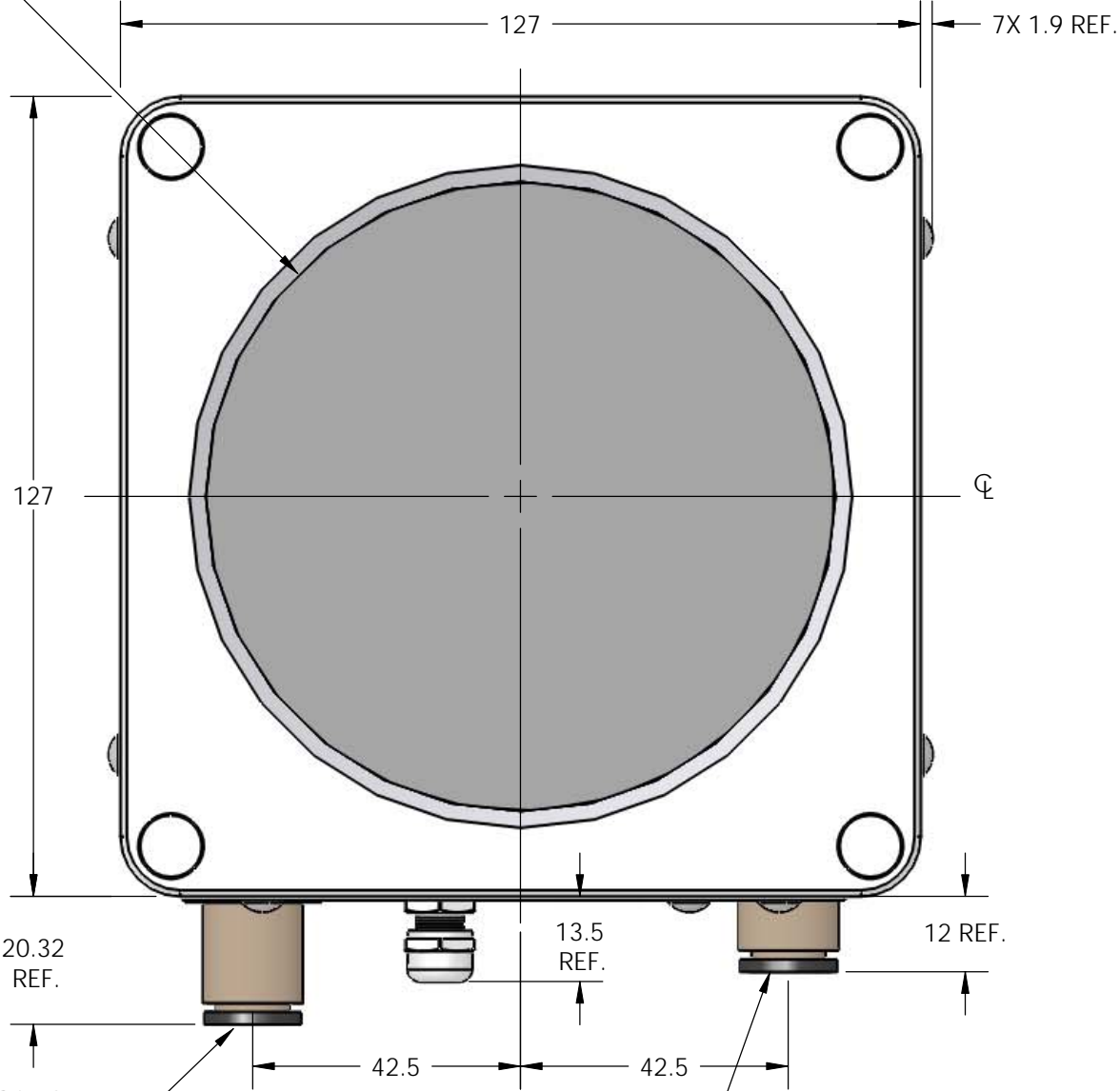
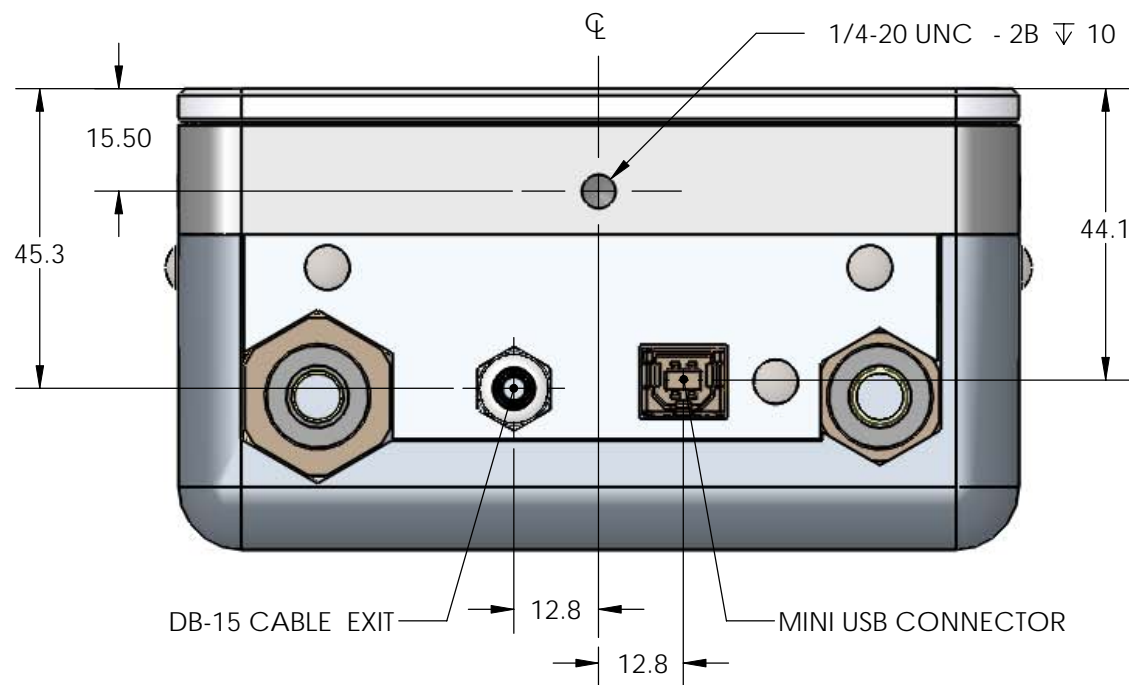


Ø100
OPTICAL APERTURE



PUSH TO CONNECT FITTINGS FOR
Ø0.375" [9.53mm] OD TUBING



DB-15 CABLE EXIT

MINI USB CONNECTOR

2X Ø 1/4-20 UNC - 2B 10

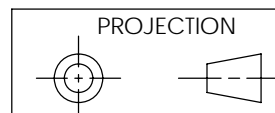
42
BOTH
SIDES

4X M6X1.0 - 6H 10



NOTE:
1- DIMENSIONS IN mm

IMPORTANT:
THIS DOCUMENT
IS PROPERTY OF
GENTEC ELECTRO-
OPTICS, IT CANNOT
BE DISTRIBUTED, USED
OR REPRODUCED IN
WHOLE OR IN PART
WITHOUT EXPRESS
WRITTEN AUTHORIZATION



REF.	REVISION	DATE	VER	APP
C	SIDE FASTENERS ADDED	11/06/23	RVH	
B	MODIFIED ACCORDING TO DCI-1326	11/04/13	RVH	
A	BOTTOM VIEW ADDED	12/15/10	RVH	

TOLERANCE	
DEC.	±
FRAC.	±
ANGLE	±
√	

APP.	
VER.	
— Ronald VH	
DATE	2010/12/14
	7:8



LAYOUT DRAWING

HP100A-12KW

SK-9077

A3