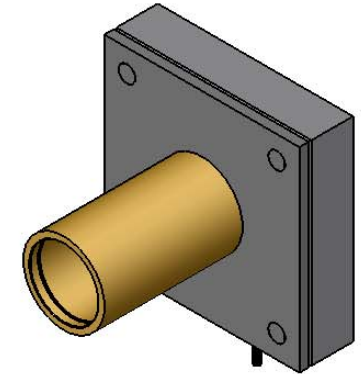
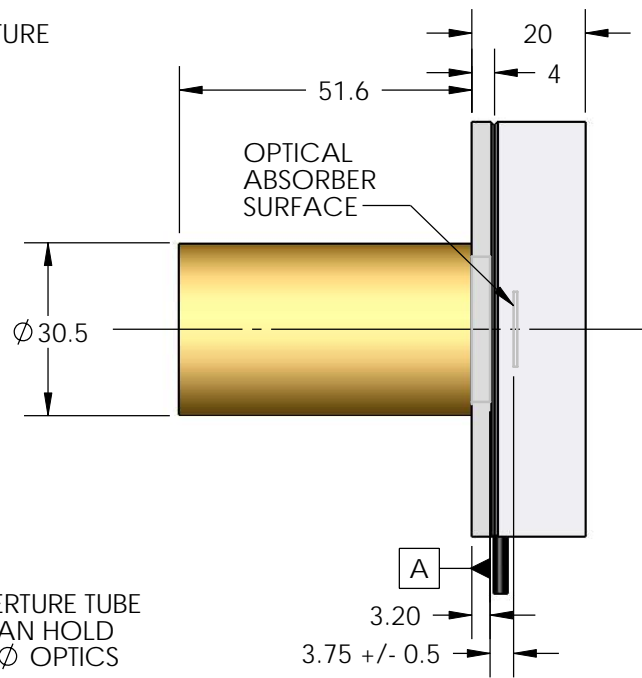
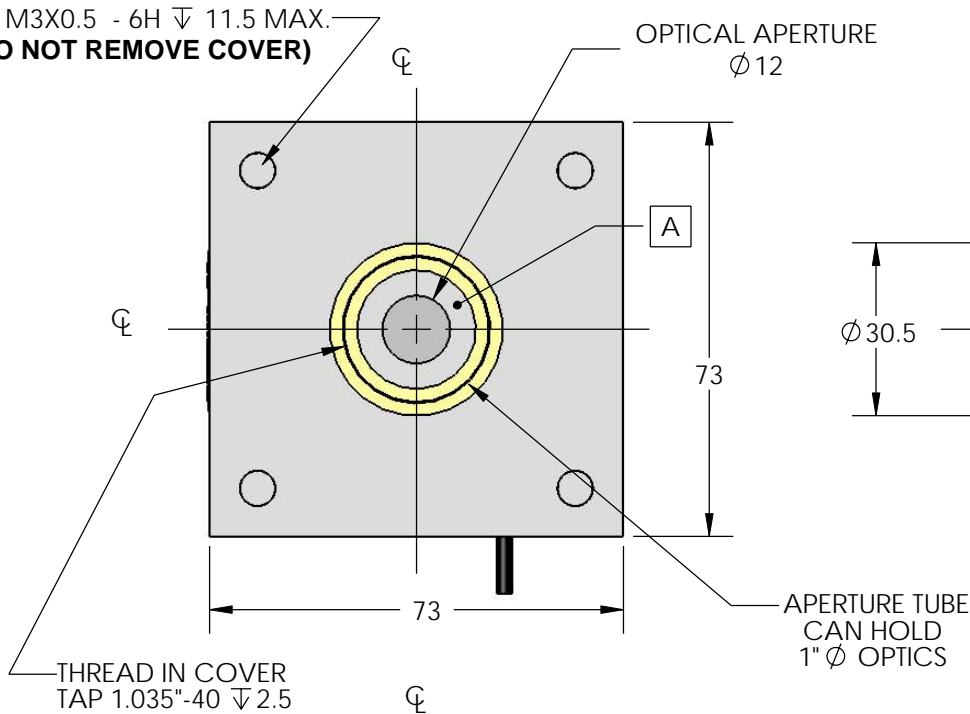


4X M3X0.5 - 6H ∇ 11.5 MAX.
(DO NOT REMOVE COVER)

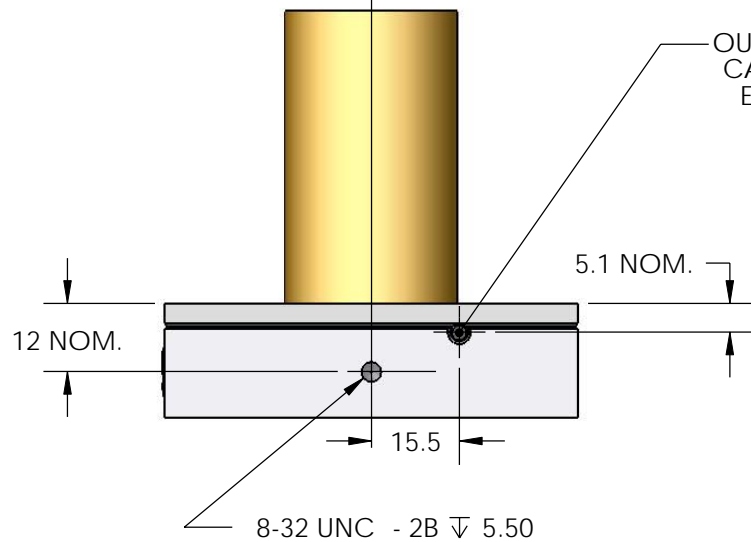
OPTICAL APERTURE
 ϕ 12



NOTE: DIMENSIONS IN mm

THREAD IN COVER
 TAP 1.035"-40 ∇ 2.5

APERTURE TUBE
 CAN HOLD
 1" ϕ OPTICS



OUTPUT
 CABLE
 EXIT

IMPORTANT:
 THIS DOCUMENT
 IS PROPERTY OF
 GENTEC ELECTRO-
 OPTICS, IT CANNOT
 BE DISTRIBUTED, USED
 OR REPRODUCED IN
 WHOLE OR IN PART
 WITHOUT EXPRESS
 WRITTEN AUTHORIZATION

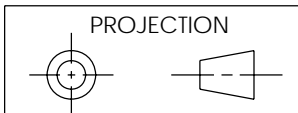
D	DEPTH OF ABSORBER SURFACE ADDED	09/05/22	RVH		
C	THREAD INFORMATION ADDED	09/01/22	RVH		
B	APERTURE TUBE MODIFIED	05/07/07	RVH		
A	THICK. INCR. BY 2mm, NON EXITING THREADS	14/03/07	RVH		
REF.	REVISION	DATE	VER	APP	

TOLERANCE	
DEC.	\pm
FRAC.	\pm
ANGLE	\pm
$\sqrt{\quad}$	



APP.	
VER.	
— RonaldVH	

LAYOUT DRAWING
 XLP12-1S-H2



DATE	13/03/2007
	1:1

SK-8698

A4